

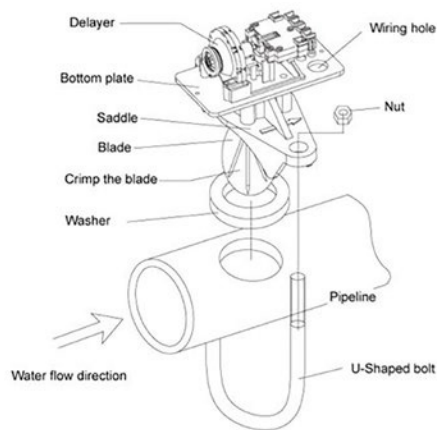


WATER FLOW DETECTOR – VANE TYPE

MODEL: SFL-WFD-VT



SIZES 2" TO 8"



GENERAL DESCRIPTION

The Sanflo Model WFD-VT series Water Flow Detector is for use on Schedule 10 through Schedule 40 steel pipe, with a size range of 2" to 8". Also referred to as a Water Flow Switch, it is a vane type switch for fire sprinkler systems that can be mounted in a vertical or horizontal position. Designed for both indoor and outdoor use, it consists of a resistant and weatherproof NEMA 4-rated enclosure. Incorporating a mechanical retard feature, water flowing through the pipe deflects the vane, which produces a switched output, normally after a specified delay.

KEY TECHNICAL FEATURES

Working Pressure: 450psi	Sensitivity: FM No-alarm Flow \leq 15L/min
Working Temperature: 0 – 49°C	Sensitivity: FM Alarm Flow $>$ 15L/min, \leq 75L/min
Steel Pipe: Schedule 10 – 40	Sensitivity: UL No-alarm Flow \leq 15L/min
0-90 seconds field replaceable Retard	Sensitivity: UL Alarm Flow $>$ 15L/min, \leq 37.5L/min
Capacity Switch Contacts: AC 125/250V 8A	Capacity Switch Contacts: DC 24V 3A, DC 30V 2.5A

BASIC INSTALLATION & TROUBLE SHOOTING

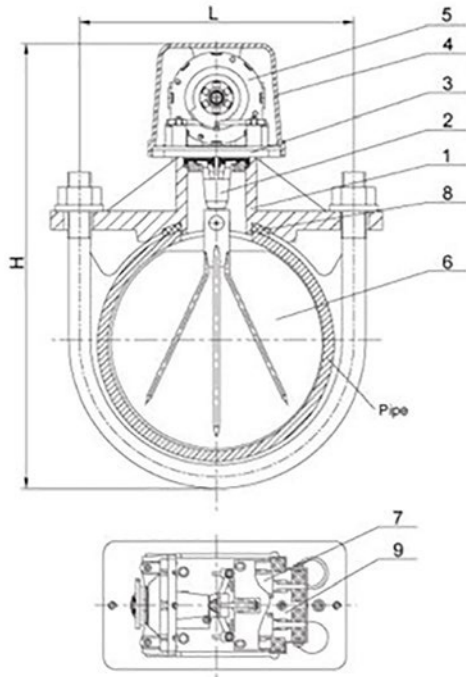
Model WFD-VT can be mounted on either vertical or horizontal pipe. When installing on horizontal pipe, always place on the top side of the pipe for accessibility. Do not install within 2 meters of a fitting which changes the direction of the waterflow or within 1 meter of a valve or drain.

Once installation position is determined, drain the system, and then use a tapper/hole saw to drill main pipeline and remove burrs/clean area. Roll the vane/blade into a smaller size so that it can fit inside the pre-drilled hole – carefully, do not bend or damage vane/blade. Insert the vane/blade so that the arrow on the saddle points is facing the direction of the waterflow. Install U shaped bolt and fasten the 2 nuts.



WATER FLOW DETECTOR – VANE TYPE

MODEL: SFL-WFD-VT



DIMENSIONS				
MODEL	SPECIFICATION	INCH	L	H
SFL-WFD-VT2	DN50	2"	85	188
SFL-WFD-VT2.5	DN65	2.5"	92	200
SFL-WFD-VT3	DN80	3"	106	220
SFL-WFD-VT4	DN100	4"	134	245
SFL-WFD-VT5	DN125	5"	162	272
SFL-WFD-VT6	DN150	6"	189.5	298
SFL-WFD-VT8	DN200	8"	240	350

SPECIFICATION	HOLE SIZE
DN50, DN65	32+2mm
DN80-DN200	51+2mm

MATERIAL OF MAIN COMPONENTS		
S/N	NAME	MATERIAL & SPEC
1	Body	Ductile Iron
2	Blade rack	Stainless Steel 304 + EPDM
3	Bottom plate	Stainless Steel 304 + EPDM
4	Outer cover	Aluminum
5	Air delay device	Component
6	Blade	LLDPE
7	Micro-switch	Component
8	Sealing gasket	EPDM
9	Junction box	PC

CARE AND MAINTENANCE:

No regular maintenance is required; however, it is advisable to annually inspect and verify proper operation. The frequency of testing, inspections, and/or maintenance is the sole responsibility of the end user. Only qualified fire protection integrators should perform any required maintenance involving the valve.

ORDERING INFORMATION:

SPECIFY MODEL SFL-WFD-VT AND INCLUDE SIZE (DIAMETER) – 2" (50mm) 2.5" (65mm) 3" (80mm) 4" (100mm) 5" (125mm) 6" (150mm) 8" (200mm)

SANFLO PRODUCT WARRANTY:

1 YEAR FROM ORIGINAL SALE DATE. SANFLO GUARANTEES TO REPAIR OR REPLACE ANY PRODUCTS DEEMED TO BE DEFECTIVE IN MATERIAL OR FABRICATION. VISIT OUR WEBSITE FOR FULL WARRANTY DETAILS.

