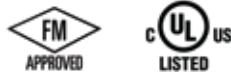




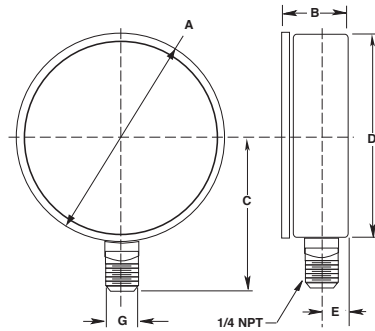
FIRE SPRINKLER SERVICE GAUGE

SFL-GAU-300-3.5



GENERAL DESCRIPTION

Sanflo's Fire Sprinkler Gauge is designed for both wet and dry sprinkler systems. The 0-300 psi pressure range is applicable to wet systems where water is available directly to the sprinkler head, while the 0-80 retard to 250 psi is used on dry systems where air pressure exists until system activation. The 0-600 psi gauge is also available for higher pressure systems.



SIZE/TYPE	A	B	C	D	E	G	WEIGHT
3.5"	3.70	1.14	2.72	3.61	0.47	0.56	5.36 oz
SFL-GAU-300-3.5°	(94)	(29)	(69)	(92)	(11.9)	(14.2)	15.9

KEY TECHNICAL FEATURES / PRODUCT SPECS

Approvals: UL/ULC and FM	Case: ABS - Polycarbonate Blend
Corrosion Resistant ABS Case	Window: Polycarbonate Push-In
Heat-Resistant Polycarbonate Push-in Window	Dial and Pointer: Black
Accuracy: ASME B 40.100, Grade B, (±3-2-3% of span)	Socket: Brass
Dial Size: 3.5" / Connection: 1/4" NPT lower	Bourdon Tube: "C" Shaped Bronze
Ranges: Single, Dual, or Triple Scale / 0-300 psi (water) / 0-80 retard to 250 psi (air) / 0-600 psi	Operating Temperature: -40°F to 150°F (-40°C to 65°C)