



300 PSI WAFER BUTTERFLY VALVE, GEAR OPERATED WITH TAMPER SWITCH

MODEL: SFL-BV-300-W



GENERAL DESCRIPTION

Sanflo butterfly valves are designed only for fire protection services. Butterfly valves are indicating valves, designed to isolate or regulate the flow of water, and come with a weatherproof supervisory actuator approved for both indoor and outdoor use.

SYSTEM DESIGN

SANFLO butterfly valves have been designed with a slow close gear operator that effectively minimizes harmful water hammer. The valves features minimum flow restriction and pressure loss when in the fully OPEN position. The valve should be connected to the piping system with approved couplings or flange adapters. Flow is possible from either direction, and the valve may be positioned in any direction.

SIZES 2" TO 12"



KEY TECHNICAL FEATURES

Conforms to: ANSI / AWWA C606

Design standard: API 609

Approvals: UL, ULC & FM

Max working pressure: 300PSI (21 bar)

Certified lead free to: NSF-61 & ANSI-372

Min/Max working temperature: 15°F to 250°F (-10°C to 120°C)

Application: weatherproof, indoor and outdoor use

Coating: fusion bonded epoxy Conforming to AWWA C550

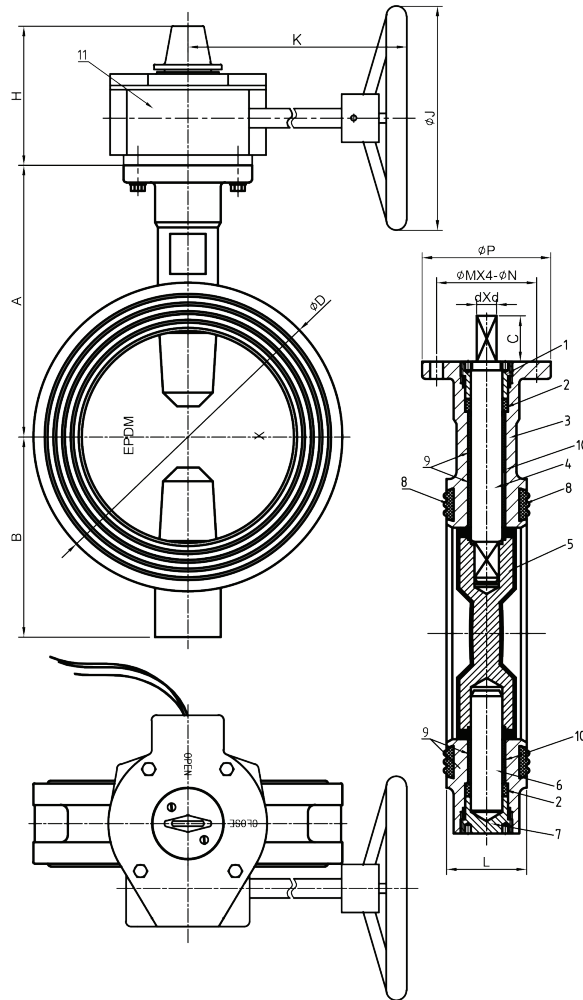
Resilient EPDM coated double seated disc

Factory installed supervisory tamper switch



300 PSI WAFER BUTTERFLY VALVE, GEAR OPERATED WITH TAMPER SWITCH

MODEL: SFL-BV-300-W



DIA.	A	B	C	D	H	K	J	P	M	N	d	L	
2"	110	85	32	100	111	153	218	152	90	70	9	10	42
2.5"	125	95	32	112	111	153	218	152	90	70	9	10	44.2
3	140	100	32	120	111	153	218	152	90	70	9	11	45.3
4"	160	100	32	161	111	153	218	152	90	70	9	14	52
6"	190	140	32	216	111	153	218	200	90	70	9	16	55.8
8"	230	175	32	260	126	210	232	300	125	102	12	29	60.5
10"	260	200	45	320	126	210	232	300	125	102	12	24	66.5
12"	300	240	45	375	161	249	350	150	125	14	26	76.9	

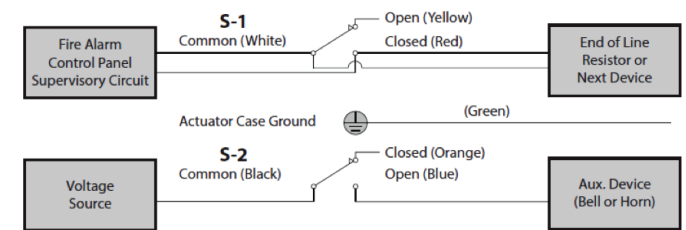
SWITCH & WIRING

SWITCH #1

For connection to the supervisory circuit
 Normally closed: 2 Red
 Normally open: 2 Yellow
 Common: 2 White

SWITCH #2

Auxiliary switch connected per authority
 Normally closed: 1 Orange
 Normally open: 1 Blue
 Common: 1 Black
 Ground Lead: 1 Green





300 PSI GROOVED BUTTERFLY VALVE, GEAR OPERATED WITH TAMPER SWITCH

MODEL: SFL-BV-300-G

CARE AND MAINTENANCE

No regular maintenance is required, however it is advisable to annually inspect and verify proper operation. Prior to closing the butterfly valve for inspection or maintenance, it is advisable to receive permission from the proper authorities and inform anyone who may be affected. The frequency of testing, inspections, and/or maintenance is the sole responsibility of the end user and should be performed in accordance with NFPA 25. Only qualified fire protection integrators should perform any required maintenance involving the valve.

ORDERING INFORMATION

Specify model **SFL-BV-300-W** and include valve size (diameter)
2" (50mm) 2.5" (65mm) 3" (80mm) 4" (100mm) 6" (150mm)
8" (200mm) 10" (250mm) 12" (300mm)

SANFLO PRODUCT WARRANTY

One (1) year from original sale date. Sanflo guarantees to repair or replace any products deemed to be defective in material or fabrication. Visit our website for full warranty details.

INSTALLATION

Carefully follow instructions on the installation sheet included with the valve.

MATERIAL SPECIFICATIONS

ITEM	PART	MATERIAL & SPEC
1	Body	Ductile Iron, ASTM A-536
2	Disc	Ductile Iron, ASTM A-536
3	Upper & Lower Stems	Stainless Steel, AISI 420-SS
4	Worm Gear Shaft	Stainless Steel, AISI 420-SS
5	Indicator Flag	Ductile Iron, ASTM A-536
6	Housing	Ductile Iron, ASTM A-536
7	Handwheel	Ductile Iron, ASTM A-536
8	Shear Pin	Steel, ASTM A510
9	Gear Segment	Brass, ASTM B584
10	Housing Gasket	EPDM Grade E
11	O Rings	EPDM Grade E