



250 PSI WET BARREL FIRE HYDRANT, FLANGED END

MODEL: SFL-WBH-250-F



GENERAL DESCRIPTION

Sanflo Wet Barrel Hydrants (WBH) provide a connection point for firefighters to tap into a water supply. WBH's are used in climates where freezing is not an issue. The simple construction involves the mechanical parts of a WBH being above ground, with a main valve to prevent any foreign debris from entering the hydrant. There is water in the barrel and hydrant at all times. WBH's can be easily raised or lowered during new construction, allowing proper height to be achieved without expensive modifications.

BASE SIZE: 6" **HOSE OUTLETS:** 2.5" x 2 **PUMPER OUTLET:** 4.5"



KEY TECHNICAL FEATURES

Conforms to: ANSI / AWWA C502 standard	Max working pressure: 250PSI (17 bar), test pressure of 500PSI (34 bar) PER UL246 and FM1510
Approvals: UL & FM	Min/max working temperature: 32 °F to 170 °F (0 °C to 80 °C)
Flanged ends conform to ANSI B16.5, class 150 DIN 2501, PN16, DN150	Designed to prevent damage to main valve if hit accidentally
Field replaceable nozzles; easily removable main valve	Coating: fusion bonded epoxy interior and exterior conforming to AWWA C550

CARE AND MAINTENANCE

No regular maintenance is required, however it is advisable to annually inspect and verify proper operation. The frequency of testing, inspections, and/or maintenance is the sole responsibility of the end user. Only qualified fire protection integrators should perform any required maintenance involving the valve.

ORDERING INFORMATION

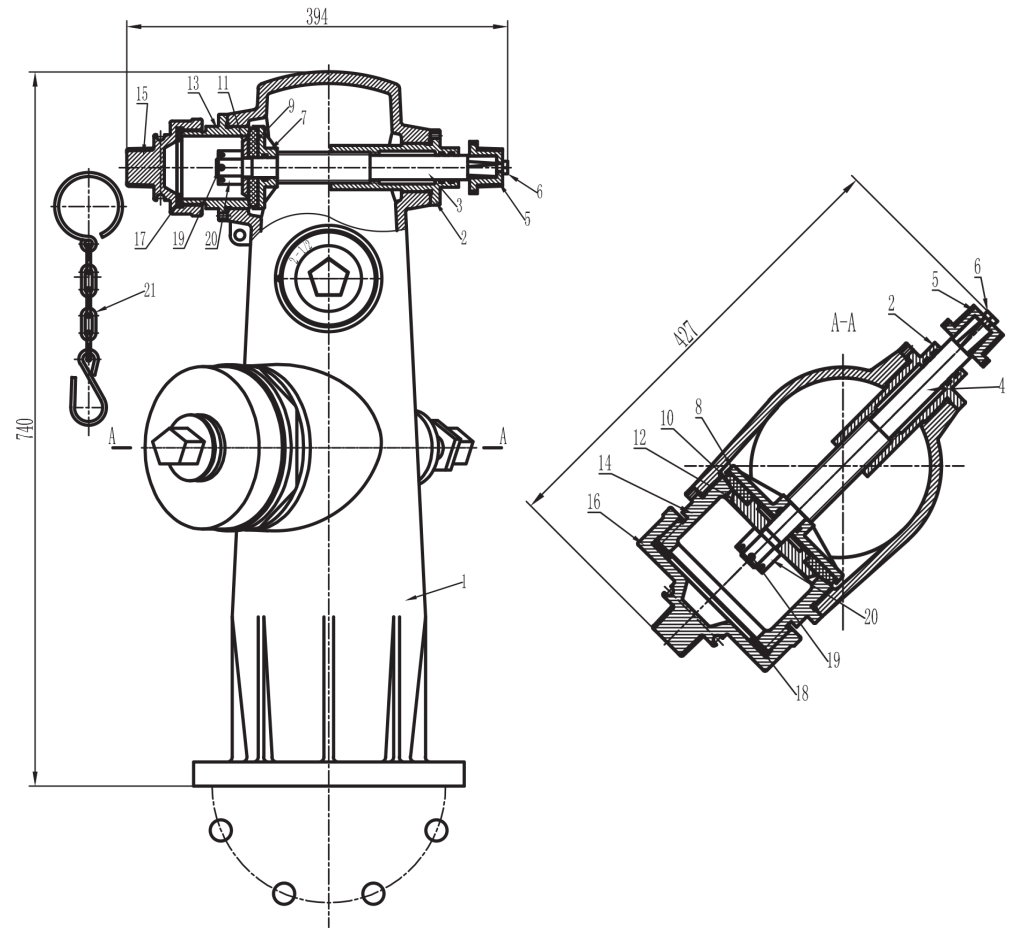
Specify model **SFL-WBH-250-F**.



250 PSI WET BARREL FIRE HYDRANT, FLANGED END

MODEL: SFL-WBH-250-F

MATERIAL SPECIFICATIONS		
ITEM	PART & QTY	MATERIAL & SPEC
1	Main Body x 1	Ductile Iron, ASTM A536
2	Hold Down Nut x 3	C95400, ASTM B148
3	2.5" Bolt x 2	SS30400/C95400
4	4.5" Bolt x 1	SS30400/C95400
5	Stem Cap x 3	Ductile Iron, ASTM A536
6	Bolt x 3	SS30400, ASTM A240
7	2.5" Tray x 2	DI/SS30400/C95400
8	4.5" Tray x 2	DI/SS30400/C95400
9	2.5" Sealing Rubber Sheet x 2	EPDM, ASTM D2000
10	4.5" Sealing Rubber Sheet x 1	EPDM, ASTM D2000
11	2.5" Plate x 2	DI/SS30400/C95400
12	4.5" Plate x 1	DI/SS30400/C95400
13	2.5" Outlet x 2	C95400, ASTM B148
14	4.5" Outlet x 1	C95400, ASTM B148
15	2.5" Outlet Cover x 2	Ductile Iron, ASTM A536
16	4.5" Outlet Cover x 1	Ductile Iron, ASTM A536
17	2.5" Cover Gasket x 2	EPDM, ASTM D2000
18	4.5" Cover Gasket x 1	EPDM, ASTM D2000
19	Cotter Pin x 3	SS30400, ASTM 240
20	Slotted Nut x 3	SS30400, ASTM 240
21	Cover Chain x 1	GR.B, ASTM A283-6



SANFLO PRODUCT WARRANTY

1 year from original sale date. Sanflo guarantees to repair or replace any products deemed to be defective in material or fabrication. Visit our website for full warranty details.