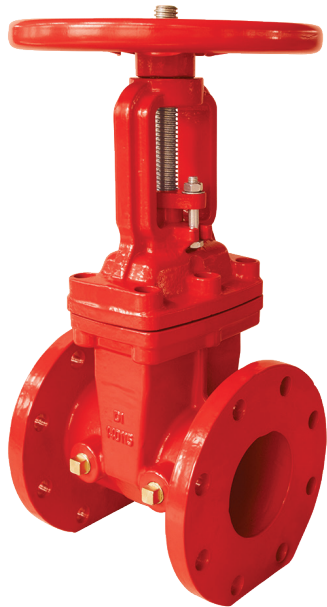
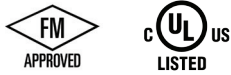




## 200PSI FLANGED ENDS RESILIENT SEAT OS&Y GATE VALVE

**MODEL: SFL-OSY-200-F**



**SIZES 2" TO 12"**

### GENERAL DESCRIPTION

Sanflo OS&Y valves (Outside Screw & Yolk) are designed for use in fire protection services. OS&Y valves control the flow of water, in an on or off position. The rising stems are fixed to the gate and lower together as the valve is operated, providing a visual indication of the on or off position.

### SIZES

2" to 12" UL /FM: Sizes 14" and 16" with FM Approval

### KEY TECHNICAL FEATURES

Conforms to: AWWA C515 / BS5163 Standard	Max working pressure: 200PSI (14 bar)
Approvals: UL & ULC, FM, NSF, ANSI 61 & 372	Max testing pressure: 400PSI (28bar)
Flanged ends are ANSI B16.2, CLASS 125/150/250	Min/max working temperature: 15°F to 250°F (-10°C to 120°C)
Conforms to UL262 and ULC/ORD-C262 and FM CLASS 1120/1120 (non-shock cold working pressure)	Coating: fusion bonded epoxy interior And exterior conforming to AWWA C550
Stainless steel stem, NPT Plug	Certified lead free to: NSF-61 & ANSI-372

### CARE AND MAINTENANCE

No regular maintenance is required, however it is advisable to annually inspect and verify proper operation. The frequency of testing, inspections, and/or maintenance is the sole responsibility of the end user. Only qualified fire protection integrators should perform any required maintenance involving the valve.

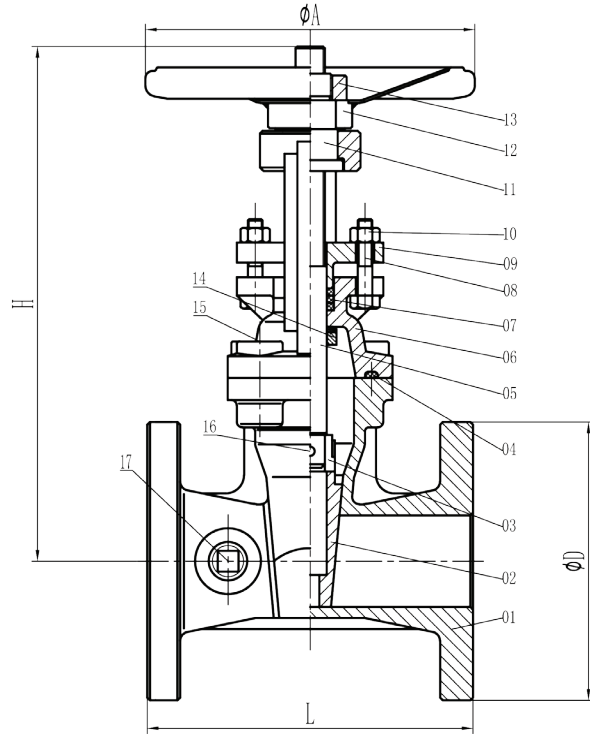
### ORDERING INFORMATION:

Specify Model **SFL-OSY-200-F** and include valve size (Diameter) – 2" (50mm) 2.5" (65mm) 3" (80mm) 4" (100mm) 6" (150mm) 8" (200mm) 10" (250mm) 12" (300mm)



## 200PSI FLANGED ENDS RESILIENT SEAT OS&Y GATE VALVE

**MODEL: SFL-OSY-200-F**



### OPTIONAL END CONNECTIONS AVAILABLE:

Groove x Groove Model **SFL-OSY-200-G**

Flange x Groove Model **SFL-OSY-200-FG**

### SANFLO PRODUCT WARRANTY

One (1) year from original sale date. Sanflo guarantees to repair or replace any products deemed to be defective in material or fabrication. Visit our website for full warranty details.

### MATERIAL SPECIFICATIONS

ITEM	PART	MATERIAL & SPEC
1	Body	Ductile Iron, A536 65-45-12
2	Stem	Stainless Steel, AISI 304, ASTM A276
3	Wedge	Ductile Iron, EPDM Encapsulated
4	Wedge Nut	Stainless Steel, AISI 304
5	Yoke Nut	Bronze, B62 C83600
6	Gasket	Rubber, EPDM
7	Bonnet	Ductile Iron, A536 65-45-12
8	Packing	Graphite
9	Gland	Ductile Iron, A536 65-45-12
10	NPT Plug	Malleable Iron
11	Hand wheel	Steel, ANSI 1045
12	Hand wheel Nut	Steel, ANSI 1045
13	Bonnet Bolt	Carbon Steel, A307 B
14	Gland Bolt	Stainless Steel, AISI 316