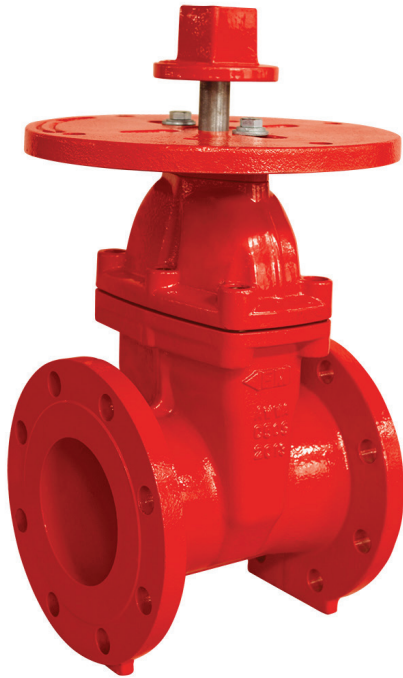




## 200PSI FLANGE NRS GATE VALVE

**MODEL: SFL-NRS-200-F**



**SIZES 4" TO 12"**

### GENERAL DESCRIPTION

Sanflo NRS GATE valves (Non Rising Stem) are designed for use in fire protection services. NRS GATE valves control the flow of water, in an on or off position. The stem turns to open and close the gate, but the stem does not move up or down as it turns. They are typically installed underground in a vertical position, or on a wall in the horizontal position, and require the use of a SANFLO Vertical or Wall Indicator Post to operate.

### KEY TECHNICAL FEATURES

Conforms to: AWWA C515	Max working pressure: 200PSI (14 bar)
Approvals: UL, ULC & FM	Max testing pressure: 200PSI (28bar)
Flanged ends are ANSI B16.2, CLASS 125/150/250	Min/max working temperature: 15°F to 250°F (-10°C to 120°C)
Conforms to UL262 and ULC/ORD-C262 and FM CLASS 1120/1120 (non-shock cold working pressure)	Coating: fusion bonded epoxy interior and exterior conforming to AWWA C550
NPT plug, 2" operating nut	Certified lead free to: NSF-61 & ANSI-372

### CARE AND MAINTENANCE

No regular maintenance is required, however it is advisable to annually inspect and verify proper operation. The frequency of testing, inspections, and/or maintenance is the sole responsibility of the end user. Only qualified fire protection integrators should perform any required maintenance involving the valve.

### ORDERING INFORMATION

Specify model **SFL-NRS-200-F** and include valve size (diameter) 4" (100mm) 6" (150mm) 8" (200mm) 10" (250mm) 12" (300mm)

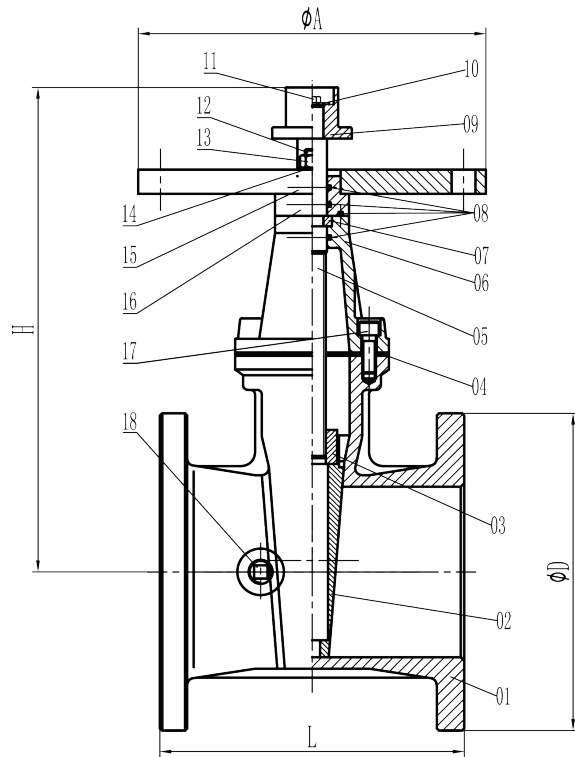
### OPTIONAL END CONNECTIONS AVAILABLE:

Groove x Groove Model **SFL-NRS-200-G**  
Flange x Groove Model **SFL-NRS-200-FG**



## 200PSI FLANGE NRS GATE VALVE

**MODEL: SFL-NRS-200-F**



### SANFLO PRODUCT WARRANTY

One (1) year from original sale date. Sanflo guarantees to repair or replace any products deemed to be defective in material or fabrication. Visit our website for full warranty details.

### MATERIAL SPECIFICATIONS

ITEM	PART	MATERIAL & SPEC
1	Body	Ductile Iron, A536 65-45-12
2	Stem	Stainless Steel, AISI 420
3	Wedge	Ductile Iron, EPDM Encapsulated
4	Wedge Nut	Bronze, B62 C83600
5	Thrust Collar	Bronze, B62 C83600
6	Gasket	Rubber, EPDM
7	Bonnet	Ductile Iron, A536 65-45-12
8	O Ring	Rubber, EPDM
9	Gland	Ductile Iron, A536 65-45-12
10	NPT Plug	Malleable Iron
11	Post Flange	Ductile Iron, A536 65-45-12
12	Operating Bolt	Ductile Iron, A536 65-45-12
13	Bonnet Bolt	Stainless Steel, AISI 304
14	Post Flange B3olt	Stainless Steel, AISI 316