



# 300 PSI GROOVED BUTTERFLY VALVE, GEAR OPERATED WITH TAMPER SWITCH

**MODEL: SFL-BV-300-G**



## GENERAL DESCRIPTION

Sanflo butterfly valves are designed only for fire protection services, to be used in commercial grooved end piping systems. Butterfly valves are indicating valves, designed to isolate or regulate the flow of water, and come with a weatherproof supervisory actuator approved for both indoor and outdoor use.

## SYSTEM DESIGN

SANFLO butterfly valves have been designed with a slow close gear operator that effectively minimizes harmful water hammer. The valves features minimum flow restriction and pressure loss when in the fully OPEN position. The valve should be connected to the piping system with approved couplings or flange adapters. Flow is possible from either direction, and the valve may be positioned in any direction.

**SIZES 2" TO 12"**



## KEY TECHNICAL FEATURES

Conforms to: ANSI / AWWA C606

Design standard: API 609

Approvals: UL, ULC & FM

Max working pressure: 300PSI (21 bar)

Certified lead free to: NSF-61 & ANSI-372

Min/Max working temperature: 15°F to 250°F (-10°C to 120°C)

Application: weatherproof, indoor and outdoor use

Coating: fusion bonded epoxy Conforming to AWWA C550

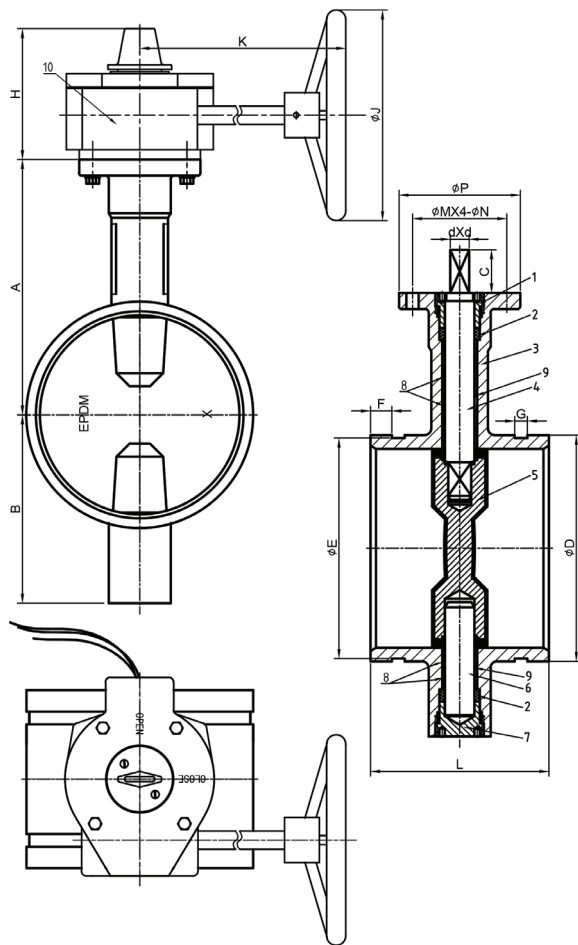
Resilient EPDM coated double seated disc

Factory installed supervisory tamper switch



## 300 PSI GROOVED BUTTERFLY VALVE, GEAR OPERATED WITH TAMPER SWITCH

**MODEL: SFL-BV-300-G**



DIA.	A	B	C	D	E	F	G	H	K	J	P	M	N	d	L
2"	110	85	32	60.3	57.15	15.9	7.9	111	218/153	152	90	70	9	10	88.0
2.5"	125	95	32	76.1	72.3	15.9	7.9	111	218/153	152	90	70	9	10	96.4
3	140	100	32	88.9	84.9	15.9	7.9	111	218/153	152	90	70	9	11	97.0
4"	160	100	32	114.3	110.1	15.9	9.5	111	218/153	152	90	70	9	14	115.1
6"	190	140	32	164.0	164	15.9	9.5	111	218/153	200	90	70	9	16	132.4
8"	230	175	32	211.6	214.4	19.0	11.1	126	232/210	300	125	102	12	29	147.4
10"	260	200	45	262.6	268.3	19.0	12.7	126	232/210	300	125	102	12	24	159.0
12"	300	240	45	312.9	318.3	19.0	12.7	161	249	350	150	125	14	26	165.0

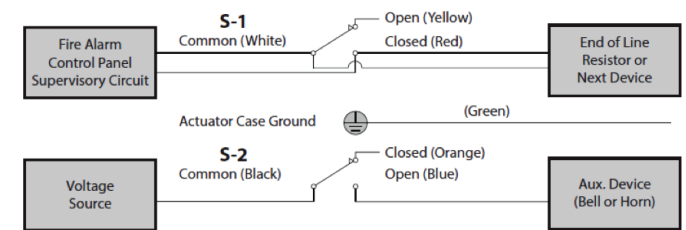
### SWITCH & WIRING

#### SWITCH #1

For connection to the supervisory circuit  
 Normally closed: 2 Red  
 Normally open: 2 Yellow  
 Common: 2 White

#### SWITCH #2

Auxiliary switch connected per authority  
 Normally closed: 1 Orange  
 Normally open: 1 Blue  
 Common: 1 Black  
 Ground Lead: 1 Green



**Note:** 1. Rated: 5A-1/6HP-125/250V



## 300 PSI GROOVED BUTTERFLY VALVE, GEAR OPERATED WITH TAMPER SWITCH

**MODEL: SFL-BV-300-G**

### CARE AND MAINTENANCE

No regular maintenance is required, however it is advisable to annually inspect and verify proper operation. Prior to closing the butterfly valve for inspection or maintenance, it is advisable to receive permission from the proper authorities and inform anyone who may be affected. The frequency of testing, inspections, and/or maintenance is the sole responsibility of the end user and should be performed in accordance with NFPA 25. Only qualified fire protection integrators should perform any required maintenance involving the valve.

### ORDERING INFORMATION

Specify model **SFL-BV-300-G** and include valve size (diameter)  
2" (50mm) 2.5" (65mm) 3" (80mm) 4" (100mm) 6" (150mm)  
8" (200mm) 10" (250mm) 12" (300mm)

### SANFLO PRODUCT WARRANTY

One (1) year from original sale date. Sanflo guarantees to repair or replace any products deemed to be defective in material or fabrication. Visit our website for full warranty details.

### INSTALLATION

Carefully follow instructions on the installation sheet included with the valve.

### MATERIAL SPECIFICATIONS

ITEM	PART	MATERIAL & SPEC
1	Body	Ductile Iron, ASTM A-536
2	Disc	Ductile Iron, ASTM A-536
3	Upper & Lower Stems	Stainless Steel, AISI 420-SS
4	Worm Gear Shaft	Stainless Steel, AISI 420-SS
5	Indicator Flag	Ductile Iron, ASTM A-536
6	Housing	Ductile Iron, ASTM A-536
7	Handwheel	Ductile Iron, ASTM A-536
8	Shear Pin	Steel, ASTM A510
9	Gear Segment	Brass, ASTM B584
10	Housing Gasket	EPDM Grade E
11	O Rings	EPDM Grade E